

Bearing-types for Groschopp AC- und DC- motors

Z8

up to 60Nm

robust base-gearbox

Worm wheel gearboxes - double reduction

high ratios possible in small encasement

ratios from 23,8:1 to 1500:1 possible

low-noise version

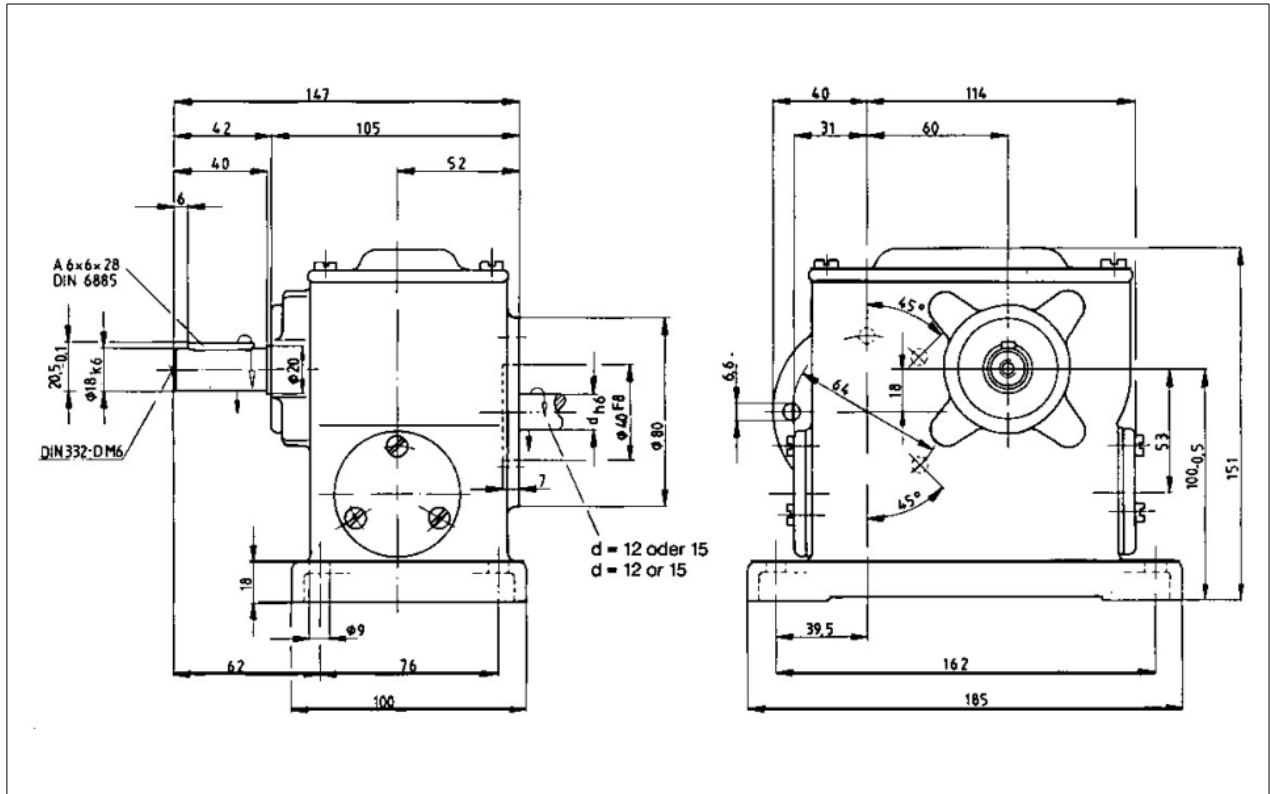
output shaft with key



Certifications



drawings Z8



Available ratios

i =	23,8:1	38:1	48,4:1	66,7:1	75:1	100:1	120:1
	135:1	150:1	202,5:1	225:1	241,8:1	270:1	300:1
	337,5:1	386:1	483,5:1	600:1	750:1	1200:1	1500:1

technical data

maximum torque	6000 Ncm
maximum load of the drive shaft	
maximum radial load	450 N (at center of output shaft extension)
maximum axial load	180 N
static self-locking	i=???
maximum thermal dissipation (contiuous operation)	100 W
weight	ca. 4 kg
material of worm wheel	bronze



efficiency factor

