



Bearing-types for Groschopp AC- and DC- motors

E7

up to 15Nm

smooth compact-gearbox

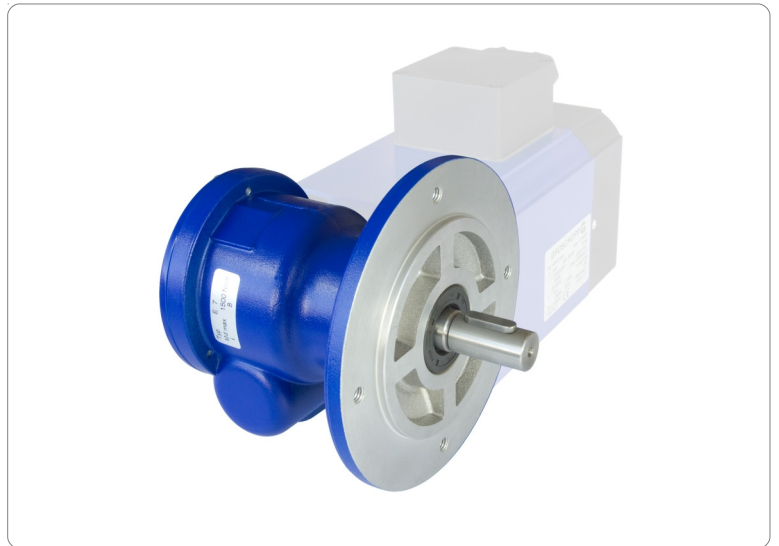
Worm wheel gearboxes – single reduction

flange-design

Gear ratio from 5:1 to 50:1

shaft with key

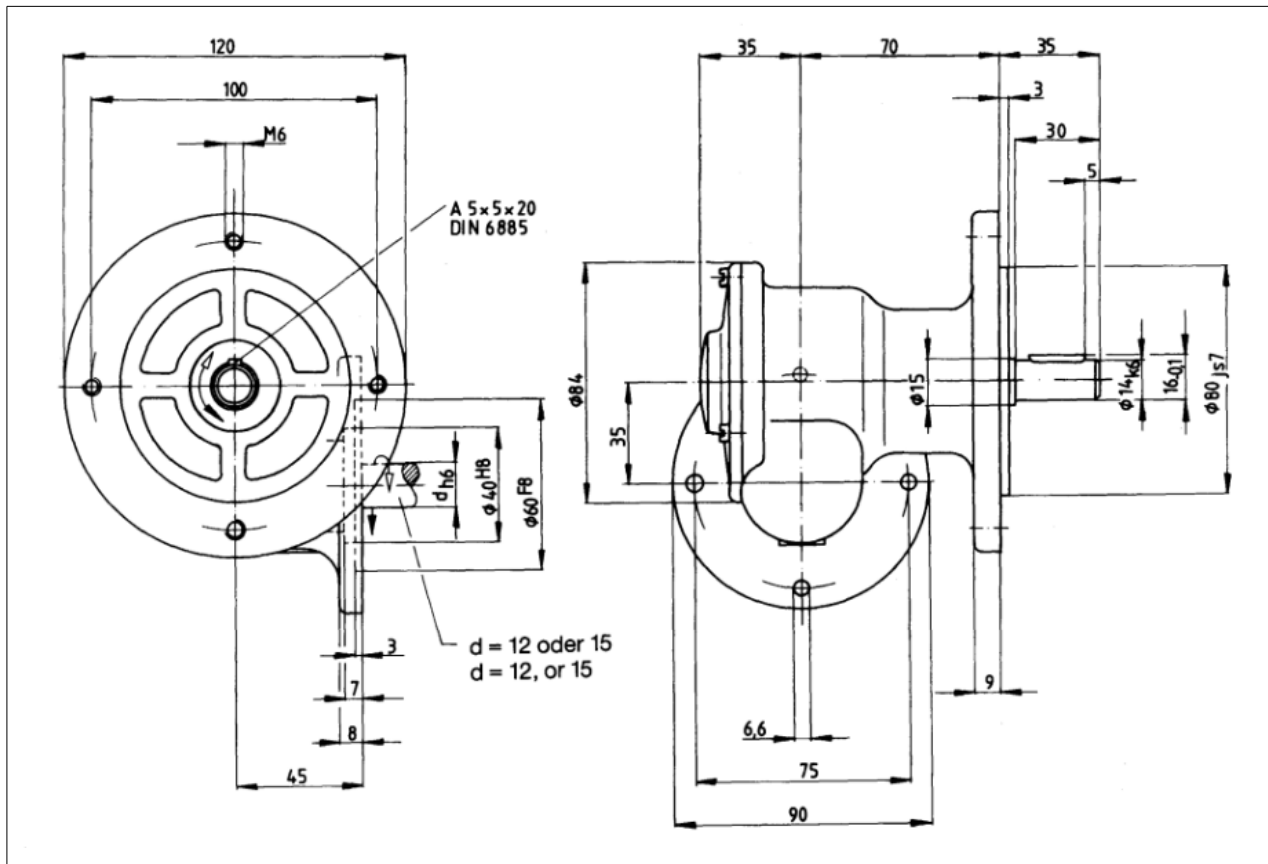
flange similar to IEC



Certifications



drawings E7



Available ratios

i =	5:1	8:1	10:1	12:1	15:1	20:1	25:1	40:1	50:1
-----	-----	-----	------	------	------	------	------	------	------

Technical data

maximum output torque up to 15:1	1500 Ncm
from 20:1 onwards	1200 Ncm
maximum load of the drive shaft	
maximum radial load	300 N (at center of output shaft extension)
maximum axial load	140 N
static self-locking	i=???
maximum thermal dissipation (continuous operation)	50 W
weight	ca. 1,4 kg
material of worm wheel	bronze



Efficiency factor

